

Small Piece Table Linen/Napkin/Pillowcase Ironer

CHICAGO[®]



Cadet[™]

**The New Higher
Production Model That
Replaces Champ Deluxe
in 2013**

Introducing



The Tough New Compact Ironer

The Cadet is Chicago's smallest flatwork finisher featuring a powerful oversized revolving heated cylinder with a usable ironing width of 48" (1220mm) or 60" (1525mm). Its 12-3/4" (324mm) diameter heated roll offers 44% higher finishing capacity and more drying power than Chicago's previous smallest model at an extremely attractive price. Standard equipment includes compression roll, complete stop buttons and full length stop bar, input feed conveyor and full exhaust canopy with wraparound insulated heat shield and 1/4 HP blower and motor to properly exhaust ironer, meet code requirements and improve operator comfort in the laundry room. High efficiency gas heated and reliable electric heated models are offered to match the production needs of the user.

Cadet

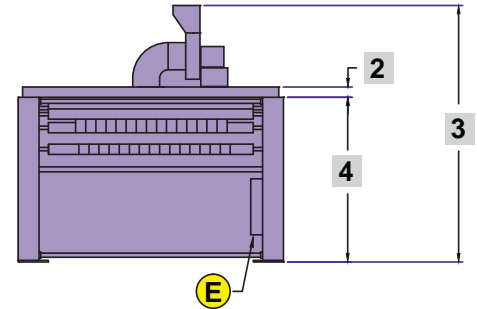
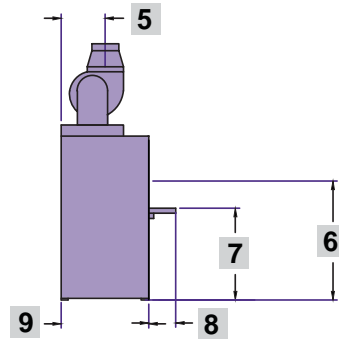
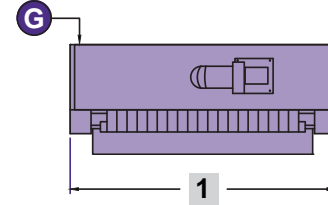
Dimensions and Utilities

NOTE:

1. Specifications subject to change without notice. Consult factory for certified construction floorplan.
2. Millimeter dimensions are in [].
3. All dimensions are +/- 1/2".
4. Utility connections are located as shown.

	CONNECTION(S)	DIA.	HEIGHT
(A)	Air Connection	--	--
(D)	Compressed Air Drain	--	--
(G)	Gas Connection	1/2"	28-1/2" [724]
(E)	Electrical Connection	--	7" [178]

	48"	60"
1	67" [1699]	79" [2003]
2	3" [76]	3" [76]
3	76" [1918]	76" [1918]
4	49" [1232]	49" [1232]
5	13" [330]	13" [330]
6	35" [889] Feed Ht.	35" [889] Feed Ht.
7	27" [686]	27" [686]
8	8" [203]	8" [203]
9	26" [660]	26" [660]



Features

Standard Features

- Polished steel heated 12-3/4" (324mm) diameter cylinder available in either 48" (1200mm) or 60" (1500mm) useable width
- Environmentally safe, temperature resistant Nomex® ironing textiles for long service life
- Dries and irons tabletops, pillowcases, napkins and other linen — including 100% cotton, polyester/cotton and VISA® blends
- Choice of gas or electric heated cylinder
- Offers the same rugged construction, high quality finish, and local support for which Chicago ironers have been known for almost 100 years

A Complete Range of Separating, Feeding, Ironing, Folding, and Sorting Options

Because Chicago specializes only in flatwork finishing equipment, it can offer the world's widest range of high production separating, feeding, ironing, folding and sorting equipment. Complete flatwork finishing systems range from automated multi-roll systems producing over 2000 pounds per hour, to compact ironers for small on-premise laundries.

Chicago's performance record is unmatched in thousands of installations in commercial, hospitality, health care, textile rental, institutional and on-premise laundries all over the world. An experienced Chicago professional will be pleased to make an objective

equipment recommendation based on your production, space, utility and budget requirements. Contact your local Chicago distributor or the factory sales assistance office for a no-obligation analysis of your needs.

Chicago's Customer Service department offers full technical and service support by telephone and on our website. We also offer overnight service for quick parts availability. Visit our website, www.chidry.com, to learn more about our complete line of flatwork finishing systems, including video of Chicago® equipment in action.



CHICAGO DRYER COMPANY
2200 North Pulaski Road
Chicago, Illinois 60639-3737 USA

Phone • 773.235.4430
Fax • 773.235.4439
Web • www.chidry.com
Email • chicago@chidry.com