

Automatic Self-Loading Towel Processing Machine

CHICAGO[®]



AUTOMATIC TOWEL MACHINE™



Ground-Breaking Technology That Changes The Way Towels Are Processed

ATM is America's first machine of it's kind – an automatic towel processor. It picks up towels from a bin, shakes them out, straightens, and feeds them automatically to a folder without the need for an operator! ATM is fast, compact, and uses fewer and simpler moving parts for an unbeatable ROI. The **Chicago High Intelligence (CHI)** Touch control screen makes programming, information gathering, and data review easy and intuitive.

Teamed with the Air Chicago air induced towel folder, ATM will automate, maximize and pace the towel loading, folding, and stacking process, as well as improving the quality of finished stacks in any size laundry.

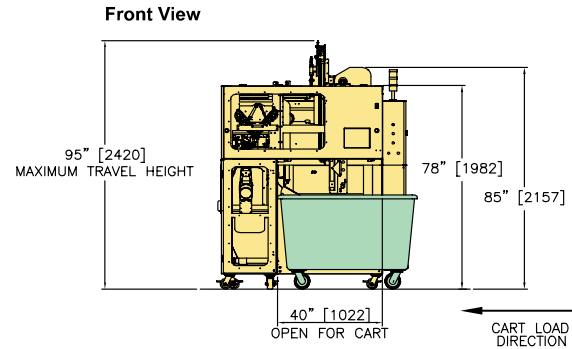
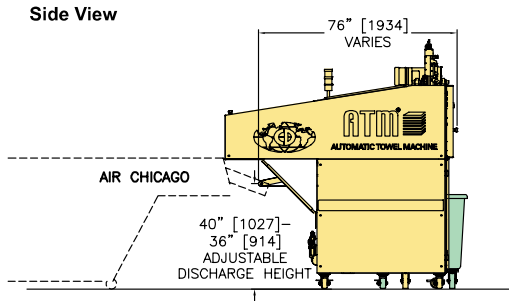
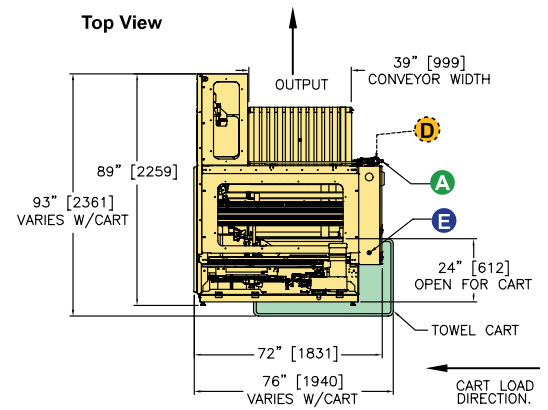


Dimensions and Utilities

NOTE:

1. Specifications subject to change without notice. Consult factory for certified construction floorplan.
2. Metric dimensions are in [].
3. All dimensions are +/- 1/2".
4. Utility connections are located as shown.

CONNECTION(S)	DIA.	HEIGHT
A Air Connection	1/2"	16" [406]
D Compressed Air Drain	1/4"	10" [254]
E Electrical Connection	--	72-1/2" [1842]



Why You Need An ATM

Working with an Air Chicago, the ATM totally transforms the towel folding process as the industry knows it. The ATM takes dried towels from a bin, automatically feeds them onto a towel folder— with no operator required. The ATM works around-the-clock, offering more throughput, with fewer moving parts, and operators can select two different sized items before processing.

New, High-Tech CHI•Touch Screen



The new **Chicago High Intelligence (CHI) Touch** control screen, with enhanced graphical user interface, gives the operator and supervisor more information at their fingertips with easier visual prompts, and greater flexibility than ever before. With the touch of the screen (eliminating the old style of key coding), the user can access program details, and view dynamic 3-D graphics to help quickly set up and begin their assignment. CHI•Touch is the industry's most intuitive, visually interactive, and user-friendly control screen.



A Complete Range of Separating, Feeding, Ironing, Folding, and Sorting Options

Because CHICAGO specializes only in flatwork finishing equipment, it can offer the world's widest range of high production separating, feeding, ironing, folding, and sorting equipment. Complete flatwork finishing systems range from automated multi-roll systems producing over 2000 pounds per hour to compact ironers for small on-premise laundries.

Chicago innovations such as ATM, Air Chicago, Edge, Pik-Quik, Powerhouse, and the modern cylinder ironer have revolutionized the way laundries work. Chicago's performance record is unmatched in thousands of installations in commercial, hospitality, health care, textile rental, institutional, and on-premise laundries all over the world. An experienced Chicago professional will be

pleased to make an objective equipment recommendation based on your production, space, utility, and budget requirements.

Contact your local Chicago distributor or the factory sales assistance office for a no-obligation analysis of your needs. Chicago's Customer Service department offers full technical and service support by telephone and on our website.

We also offer overnight service for quick parts availability. Visit our website, www.chidry.com to learn more about our complete line of flatwork finishing systems, including video of Chicago® equipment in action.



CHICAGO DRYER COMPANY
2200 North Pulaski Road
Chicago, Illinois 60639-3737 USA

Phone • 773.235.4430
Fax • 773.235.4439
Web • www.chidry.com
Email • chicago@chidry.com