

Folder/Stacker

Flipper™

CHICAGO®



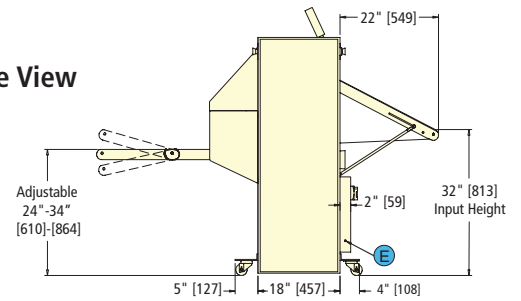
FLIPS, FOLDS, COUNTS AND STACKS

Flipper is a simple high speed labor saving half folder/stacker for the automatic counting and stacking of flat or half folded small articles such as face cloths, wiper cloths, shop towels and bar wipes. It is designed to automate the folding and stacking process to assure accurate counts, consistent quality and continuous high production. Alphanumeric display shows item description with both stack and total piece counts.

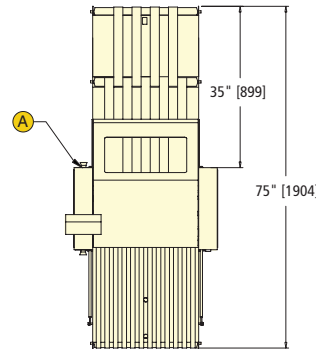
Flipper Dimensions and Utilities

CONNECTION(S)	DIA.	HEIGHT
A Air Connection	1/2"	8-1/2" [216]
E Electrical Connection	-	7-1/2" [191]

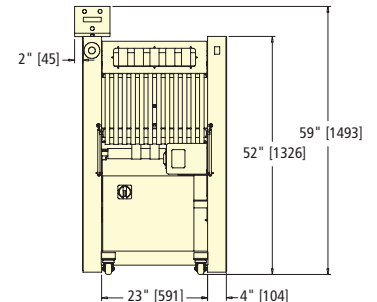
Side View



Top View



Front View



NOTE:

1. Specifications subject to change without notice. Consult factory for certified construction floor plan.
2. Millimeter dimensions are in [].
3. All dimensions are +/- 1/2".
4. Utility connections are located as shown.

Flipper's automation of small piece handling increases operator output by eliminating manual counting of items, making production more consistent per operator hour, reducing fatigue and creating uniform automatically counted bundles of items for efficient storing or packaging. Counts of up to 50 pieces can be pre-selected (depending on item thickness). Complete stacks are automatically discharged to the integral

delivery conveyor for discharge to the rear for manual removal or direct advance onto an automated master conveyor. The standard auto bypass table prevents overfeeding and resulting jams. An optional return to front conveyor is also available. Flipper's reverse pinch conveyor with air assist folding mechanism is built into its infeed conveyor to enable larger articles up to 24" long to be half folded prior to counting and stacking.

Features

Operation: Individual item types are programmed for choice of flat stacking or folding, stack height and specific count. Articles are manually fed, precision measured by microprocessor control, and placed accurately on top of each other to form a stack. Completed stacks are conveyed to a convenient height for easy operator removal or can be discharged to a master conveyor system.

Capacity: Flipper will accept articles up to 24" long for folding and up to 12" long for flat stacking. Maximum size articles of 20" W x 24" L are folded in half by air pulse through reversing conveyor before being stacked onto the exit conveyor. Between 5 and 50 pieces can be stacked per bundle depending upon item thickness.

Utility: Flipper operates on 120 VAC and requires only compressed air supply. Flipper may also be connected to a CHILINC production data accumulation system for automatic recording and storage of production and efficiency information.

Safety: Safety guards and panels for operator safety.

A Complete Range of Separating, Feeding, Ironing, Folding, and Sorting Options

Because CHICAGO specializes only in flatwork finishing equipment, it can offer the world's widest range of high production separating, feeding, ironing, folding, and sorting equipment. Complete flatwork finishing systems range from automated multi-roll systems producing over 2000 pounds per hour to compact ironers for small on-premise laundries.

Chicago's performance record is unmatched in thousands of installations in commercial, textile rental, institutional, and on-premise laundries. An experienced Chicago professional will be pleased to make an objective equipment recommendation based on your production, space, utility, and budget requirements.

Contact your local Chicago distributor or the factory sales assistance office for a no-obligation analysis of your needs.



CHICAGO DRYER COMPANY
2200 North Pulaski Road
Chicago, Illinois 60639-3737 USA

Phone • 773.235.4430
Fax • 773.235.4439
Web • www.chidry.com
Email • chicago@chidry.com