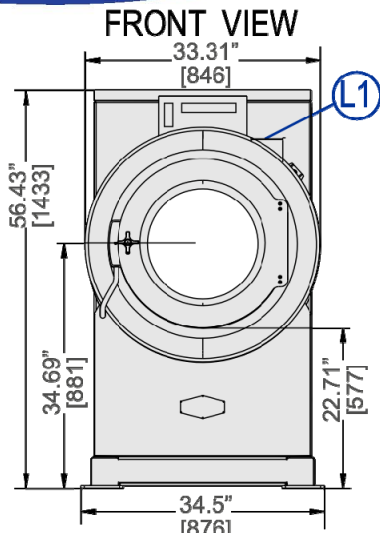


# 30015 T6X

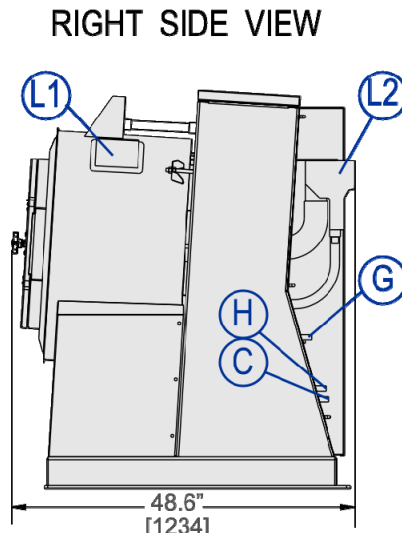
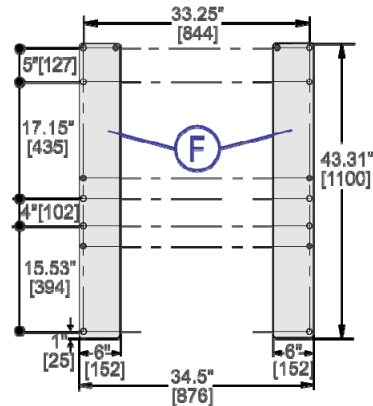
40 LB. (18 KG) CAPACITY

RIGID-MOUNT WASHER-EXTRACTOR

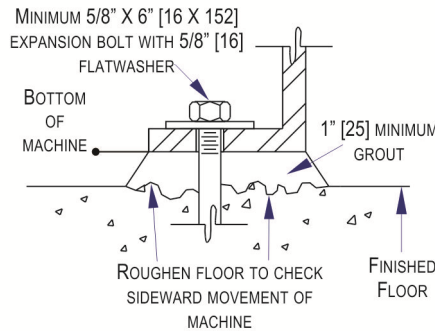
## SPECIFICATION SHEET



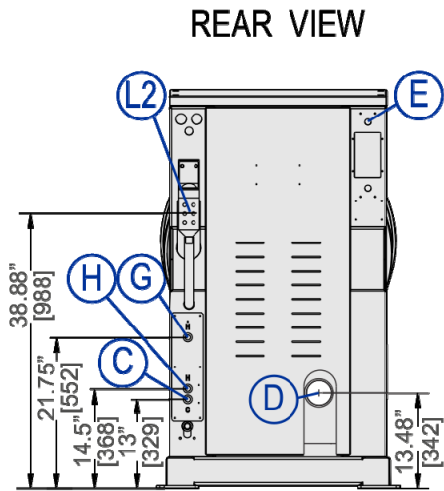
FOUNDATION VIEW



ANCHORING DETAIL



FLOOR REQUIREMENT 12" MINIMUM RECOMMENDED ▼, ◇



LEGEND

C	Cold water inlet, .75" (19 mm) GHT
D	Drain to sewer, 3" (76 mm) pipe connection
E	Electrical connection
F	Foundation pads, anchor bolt holes .8125" (21 mm) diameter
G	Hot water (chemical flushing), 0.75" (19 mm) GHT
H	Hot water inlet, .75" (19 mm) GHT
L1	Soap chute
L2	Liquid supply inlets

### MECHANICAL SPECIFICATIONS

Capacity – lbs (kg)	40 (18)
Cylinder Diameter x Depth – ins (mm)	30 x 15 (762 x 381)
Cylinder Volume – cu. ft. (L)	6.14 (174)
Door Opening – ins (mm)	15.5 (394)
Machine Dimensions (W x D x H) – ins (mm)	34.5 x 48.6 x 56.43 (876 x 1234 x 1433)
Shipping Dimensions (W x D x H) – ins (mm)	40 x 60 x 60 (1016x1524x1524)
Motor – HP (kW)	3
Wash Speed – RPM	38
Distribution Speed – RPM	65
Extraction Speed – RPM	573
Extraction G-Force	140
Static Weight – lbs (kg) ◇	1144 (519)
Max. Dynamic Load RMS – lbs (kg) ◇	1085 (492)
Frequency (Hz)	10
Water Pressure (Required) – psi (bar)	10-75 (0.69-5.17)
Water Valve Cv Rating – gal/min (L/min)	3.6 (14)
Minimum Recommended Distance Between Machines – ins (mm)	6 (152.4)

### ELECTRICAL SPECIFICATIONS

Voltage	Running Amps	Fuse (Amps)	Circuit Breaker (Amps)
220/3/50	7	FRN15	15
208,240/1/60	9/8	FRN20	20
208,240/3/60	8/7	FRN15	15
380/3/50-60	4.5	FRS15	15
415/3/50	4.5	FRS15	15
480/3/60	3.5	FRS15	15

See Fuse and Wire Size manual MAEFUSE1BE for safety information.

▼ See dimensional drawing for complete details.

◇ It is the sole responsibility of the owner/user to assure that the floor and/or any other supporting structure exceeds not only all applicable building codes, but also that the floor and/or any other supporting structure for each washer-extractor or group of washer-extractors has sufficient strength and rigidity (i.e., a natural or resonant frequency many times greater than the rotational machine speed with a reasonable factory of safety) to support the weight of all the fully loaded machine(s) including the weight of the water and goods, and including the published 360° rotating sinusoidal RMS forces that are transmitted by the machine(s). Contact the factory for additional machine data for use by a structural engineer.



# 30015 T6X

40 LB. (18KG) CAPACITY  
RIGID-MOUNT WASHER-EXTRACTOR

## SPECIFICATION SHEET

### Standard Features:

- RinSave® water saving technology
- 4 speeds
- E-P Express® programmable controller
- Vacuum fluorescent display
- Single-motor inverter drive
- Tall, lifting ribs
- Tapered roller bearings
- High M.A.F. (Mechanical Action Factor)
- Large cylinder perforations
- Fresh-water flushing chemical manifold
- Auto tension V-belt drive
- Six (6) liquid chemical injection ports
- Control reads in English/second language
- 5-year limited warranty on frame, cylinder & shell



### Optional Features:

- Prison package
- Faster fill water valves

### Why Purchase Milnor?

- Larger cylinder volume than most competitive similar sized washer-extractors provides *greater productivity*. More linen washed per day, or fewer hours required to process. **BENEFIT: Saves labor.**
- Greater cylinder perforated-area generates *better wash* quality, *better rinsing* and *better extraction*. **BENEFIT: Better extraction saves dryer fuel.**
- Faster process times reduce fabric wear, promoting *longer linen life!* **BENEFIT: Saves linen replacement costs.**
- Tall perforated ribs provide excellent lift and high drop. **BENEFIT: Greater mechanical action (M.A.F.) leads to better wash quality.**
- 140-G high extract provides excellent moisture removal. Lower extract speeds are available for uniforms, delicate textiles and blended fabrics. **BENEFIT: Better extraction saves dryer fuel.**
- E-P Express Controller with vacuum fluorescent display allows operator to choose formulas from real words, not codes. Standard controller features English/Spanish (other languages optional). Controller also provides diagnostic and error messages. Shortens training time of new employees. **BENEFIT: Fewer operator errors.**
- Superior product support through local, highly-skilled dealers. **BENEFIT: Faster repairs mean less downtime.**



Safe chemical injection



Superior cylinder design



Solid industrial frame

Contact Milnor for your local, authorized dealer:

Pellerin Milnor Corporation  
P.O. Box 400 • Kenner, LA 70063  
t: 504-467-9591 • f: 504-468-3094

