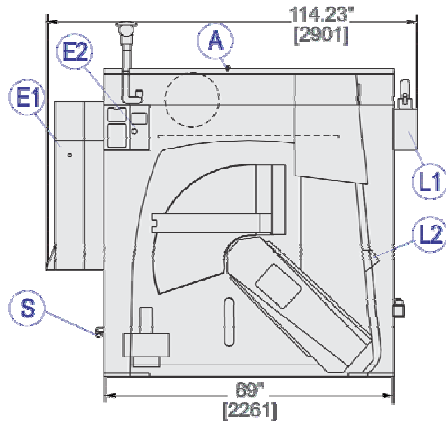


60044 SP2

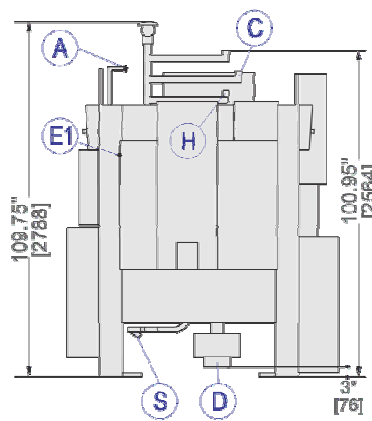
450 LB. (204KG) CAPACITY
DIVIDED-CYLINDER WASHER-EXTRACTOR

SPECIFICATION SHEET

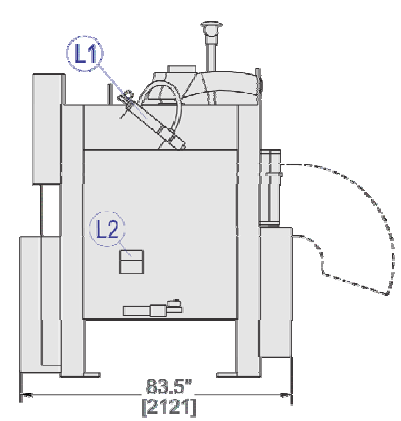
FRONT VIEW (LOAD)



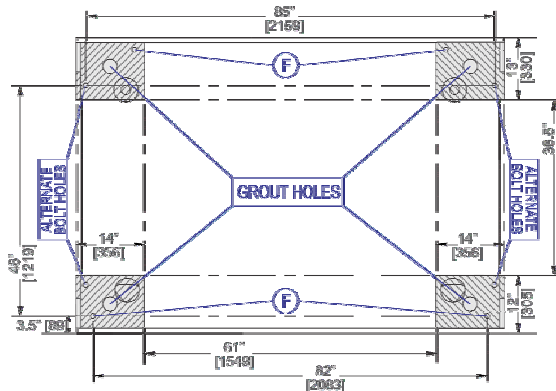
LEFT SIDE VIEW



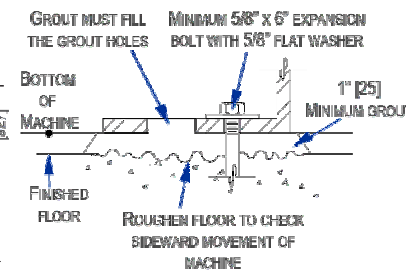
RIGHT SIDE VIEW



FOUNDATION VIEW



ANCHORING DETAIL



LEGEND

A	Compressed air inlet connection .25" (6 mm) NPT
C	Cold water inlet 2" (51 mm) NPT
D	Drain valve 8" (203 mm) diameter
E1	Electrical connection
E2	Emergency stop
F	Anchor bolt holes 1.06" (27 mm)
H	Hot water inlet 2" (51 mm) GHT
L1	Peristaltic supply connection
L2	Soap chute
S	Steam inlet connection 1.25" (32 mm) NPT

MECHANICAL SPECIFICATIONS

Capacity – lbs (kg)	450 (204)
Cylinder Diameter x Depth – ins (mm)	60 x 44 (1524x1118)
Cylinder Door Area – sq. in. (sq. cm)	538 (3471)
Cylinder Volume – cu. ft. (L)	72 (2039)
Machine Dimensions (W x D x H) – ins (mm)	114.25x83.62x93.31 (2901x2123x2387)
Shipping Dimensions (W x D x H) – ins (mm)	91 x 128 x 101 (2311x3251x2565)
Motor – HP (kW)	50 (37.28)
Wash Speed – RPM	27-305
Distribution Speed – RPM	45
Extraction Speeds – RPM	305-610
Extraction G-Force	317
Static Weight – lbs (kg) ✧	15,337 (6956.5)
Max. Dynamic Load RMS - lbs (kg) ✧	2015.87 (914.38)
Frequency (Hz)	10.17
Water Pressure (Required) – psi (bar)	30-65 (2.06-4.48)
Water Valve Cv Rating – gal/min (L/min)	110 (416.4)

ELECTRICAL SPECIFICATIONS

Voltage	Running Amps	Fuse (Amps)	Circuit Breaker (Amps)
208/3/60	60	FRN110	200
220/3/50-60	56.5	FRN100	200
240/3/60	51.5	FRN100	200
380/3/50-60	33	FRS60	125
400/3/50	31	FRS60	125
415/3/50	30	FRS60	100
480/3/60	26	FRS50	90
600/3/60	21	FRS40	70

See Fuse and Wire Size manual MAEFUSE1BE for safety information.

▼ See dimensional drawing for complete details.

✧ It is the sole responsibility of the owner/user to assure that the floor and/or any other supporting structure exceeds not only all applicable building codes, but also that the floor and/or any other supporting structure for each washer-extractor or group of washer-extractors has sufficient strength and rigidity (i.e., a natural or resonant frequency many times greater than the rotational machine speed with a reasonable factor of safety) to support the weight of all the fully loaded machine(s) including the weight of the water and goods, and including the published 360° rotating sinusoidal RMS forces that are transmitted by the machine(s). Contact the factory for additional machine data for use by a structural engineer.



60044 SP2

450 LB. (204KG) CAPACITY

DIVIDED-CYLINDER WASHER-EXTRACTOR

SPECIFICATION SHEET

Standard Features:

- Rapid Load split pocket cylinder
- AUTOSPOT™ cylinder positioner
- MarkVI programmable controller
- Color graphic display
- Single-motor inverter drive
- Air-operated valves
- Programmable overnight bath soak
- Programmable water temperature for each bath
- Hydro-Cushion™ suspension
- Spherical roller bearings
- Large cylinder perforations
- Twenty (20) liquid chemical injection ports
- Control reads in English/second language
- 5-year limited warranty on frame, cylinder & shell

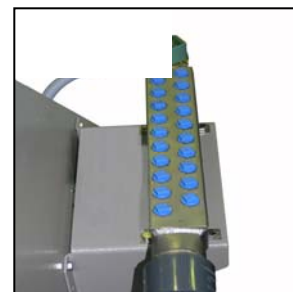


Optional Features:

- 5 compartment flushing supply injector
- Programmable Air-Operated steam injection

Why Purchase Milnor?

- With Rapid Load split pocket cylinder (only a single partition), both pockets are open at one time for loading. **BENEFIT: Faster loading and greater lift and drop action for outstanding soil removal.**
- MarkVI Controller with color graphic display allows operator to choose formulas from real words, not codes. Standard controller features English/Spanish (other languages optional). Controller also provides diagnostic and error messages. Shortens training time of new employees. **BENEFIT: Fewer operator errors.**
- 317-G high extract provides excellent moisture removal. Lower extract speeds are available for uniforms, delicate textiles and blended fabrics. **BENEFIT: Better extraction saves dryer fuel.**
- 15 liquid chemical ports, 15 signals, and optional 5 compartment supply injector. **BENEFIT: Promotes consistency and allows flexibility.**
- Larger cylinder perforated-area generates *better wash quality, better rinsing and better extraction.* **BENEFIT: Better extraction saves dryer fuel.**
- Faster process times reduce fabric wear, promoting *longer linen life!* **BENEFIT: Saves linen replacement costs.**
- Superior product support through local, highly-skilled dealers. **BENEFIT: Faster repairs mean less downtime.**



Safe chemical injection



Superior cylinder design



Hydro-Cushion™ suspension

Contact Milnor for your local, authorized dealer:

Pellerin Milnor Corporation
P.O. Box 400 • Kenner, LA 70063
t: 504-467-9591 • f: 504-468-3094

