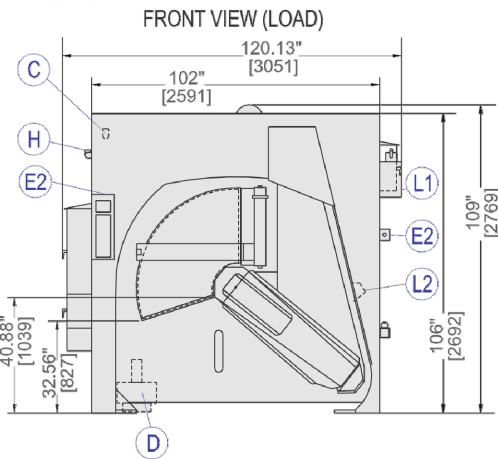


72044 SP2

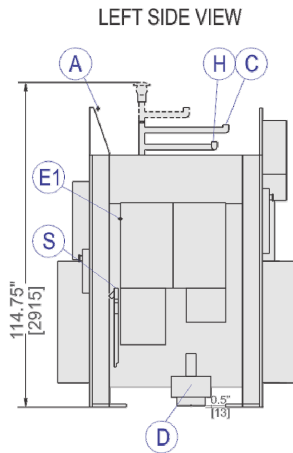
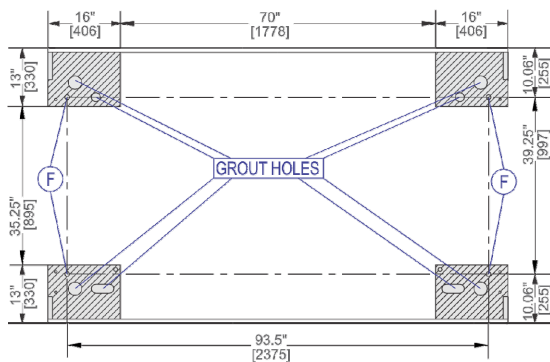
700LB. (318KG) CAPACITY

DIVIDED-CYLINDER WASHER-EXTRACTOR

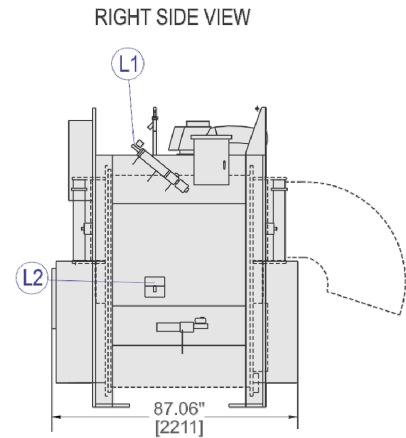
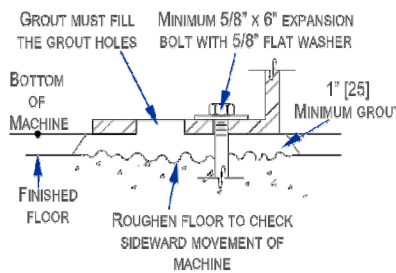
SPECIFICATION SHEET



FOUNDATION VIEW



ANCHORING DETAIL



LEGEND

A	Compressed air inlet connection .25" (6 mm) NPT
C	Cold water inlet 2" (51 mm) NPT
D	Drain valve 10" (254 mm) diameter
E1	Electrical connection
E2	Emergency stop
F	Anchor bolt holes 1.06" (27 mm)
H	Hot water inlet 2" (51 mm) GHT
L1	Peristaltic supply
L2	Soap chute
S	Steam connection 1.25" (32 mm) NPT

MECHANICAL SPECIFICATIONS

Capacity – lbs (kg)	700 (318)
Cylinder Diameter x Depth – ins (mm)	72 x 44 (1829x1118)
Cylinder Door Area – sq. in. (sq. cm)	850 (5484)
Cylinder Volume – cu. ft. (L)	104 (2936)
Machine Dimensions (W x D x H) – ins (mm)	120.12x87.06x109 (3051x2211x2769)
Shipping Dimensions (W x D x H) – ins (mm)	91 x 122 x 111 (2311x3099x2819)
Motors – HP (kW)	10, 7.5, 20, 15 (7.45, 5.59, 14.91, 11.18)
Wash Speed – RPM	26
Distribution Speed – RPM	38
Extraction Speeds – RPM	220-535
Extraction G-Force	292
Static Weight – lbs (kg) ✧	23,645 (10,725.1)
Max. Dynamic Load RMS - lbs (kg) ✧	2675.37 (1213.52)
Frequency (Hz)	8.92
Water Pressure ^(Required) – psi (bar)	30-65 (2.06-4.48)
Water Valve Cv Rating – gal/min (L/min)	110 (416.4)

ELECTRICAL SPECIFICATIONS

Voltage	Running Amps	Fuse (Amps)	Circuit Breaker (Amps)
208/3/60	60	FRN110	200
220/3/50-60	56.5	FRN100	200
240/3/60	51.5	FRN100	200
380/3/50-60	33	FRS60	125
400/3/50	31	FRS60	125
415/3/50	30	FRS60	100
480/3/60	26	FRS50	90
600/3/60	21	FRS40	70

See Fuse and Wire Size manual MAEFUSE1BE for safety information.

▼ See dimensional drawing for complete details.

✧ It is the sole responsibility of the owner/user to assure that the floor and/or any other supporting structure exceeds not only all applicable building codes, but also that the floor and/or any other supporting structure for each washer-extractor or group of washer-extractors has sufficient strength and rigidity (i.e., a natural or resonant frequency many times greater than the rotational machine speed with a reasonable factory of safety) to support the weight of all the fully loaded machine(s) including the weight of the water and goods, and including the published 360° rotating sinusoidal RMS forces that are transmitted by the machine(s). Contact the factory for additional machine data for use by a structural engineer.



72044 SP2

700LB. (318KG) CAPACITY

DIVIDED-CYLINDER WASHER-EXTRACTOR

SPECIFICATION SHEET

Standard Features:

- Rapid Load split pocket cylinder
- AUTOSPOT™ cylinder positioner
- MarkVI programmable controller
- Color graphic display
- Air-operated valves
- Programmable overnight bath soak
- Programmable water temperature for each bath
- Hydro-Cushion™ suspension
- Spherical roller bearings
- Large cylinder perforations
- Twenty (20) liquid chemical injection ports
- Control reads in English/second language
- 5-year limited warranty on frame, cylinder & shell

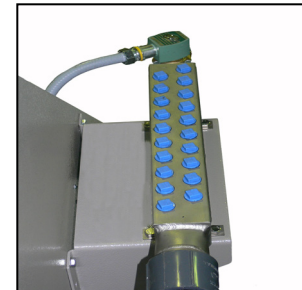


Optional Features:

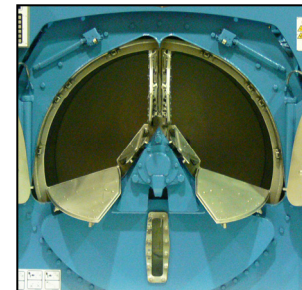
- 5 compartment flushing supply injector
- Programmable Air-Operated steam injection

Why Purchase Milnor?

- With Rapid Load split pocket cylinder (only a single partition), both pockets are open at one time for loading. **BENEFIT: Faster loading and greater lift and drop action for outstanding soil removal.**
- MarkVI Controller with color graphic display allows operator to choose formulas from real words, not codes. Standard controller features English/Spanish (other languages optional). Controller also provides diagnostic and error messages. Shortens training time of new employees. **BENEFIT: Fewer operator errors.**
- 292-G high extract provides excellent moisture removal. Lower extract speeds are available for uniforms, delicate textiles and blended fabrics. **BENEFIT: Better extraction saves dryer fuel.**
- 20 liquid chemical ports, 15 signals, and optional 5 compartment supply injector. **BENEFIT: Promotes consistency and allows flexibility.**
- Larger cylinder perforated-area generates *better wash quality, better rinsing and better extraction.* **BENEFIT: Better extraction saves dryer fuel.**
- Faster process times reduce fabric wear, promoting *longer linen life!* **BENEFIT: Saves linen replacement costs.**
- Superior product support through local, highly-skilled dealers. **BENEFIT: Faster repairs mean less downtime.**



Safe chemical injection



Superior cylinder design



Hydro-Cushion™ suspension

Contact Milnor for your local, authorized dealer:

Pellerin Milnor Corporation
P.O. Box 400 • Kenner, LA 70063
t: 504-467-9591 • f: 504-468-3094

