

M82

80-lb Capacity OPL Dryer

Standard Features:

- 80-lb. capacity
- 22.4 cu. ft basket volume
- 270,000 btu/hr heat input, 1,700 cfm. airflow
- Radial airflow
- Steel door with gasketless glass
- 14" diameter vent connection
- Steel door with gasketless glass
- Fits through standard 42" door
- Available in gas and steam heat
- Reversing Basket

Optional Features:

- Stainless steel front, cabinet & basket
- F.S.S. (Fire Suppression System)



M82 OPL Dryer

Why Purchase Milnor M82?

Engineer Driven Design That is Built to Last

Our dryers showcase an engineer-driven approach to design. Bearings are permanently lubricated on the motor and drive system. There are no chains used; rather, we use V-belts and pulleys for smooth, quiet, and trouble free operation. Our dryer cabinets are electrostatically powder-painted inside and out then baked at 420-degrees fahrenheit before final assembly-ensuring the hardest surface and the longest lasting finish in the industry.

Rugged Steel Door with Gasketless Door Glass

Our dryer doors are one solid piece of steel with gasketless glass. This eliminates the issue of glass falling out due to wear and tear on rubber gaskets that some manufacturers use to secure their glass. The security and durability that gasketless glass provides is essential to longevity.

Easy-to-Read, Multilingual Controls

We were the first to bring computer operated dryers to the market and today we continue to be a leader in applying technology to dryer operation. Our years of experience along with our accessible design, easy-to-read LED screens and our user friendly multilingual interface positions ADC as the pioneer in the laundry industry.

Your local Milnor independent authorized distributor



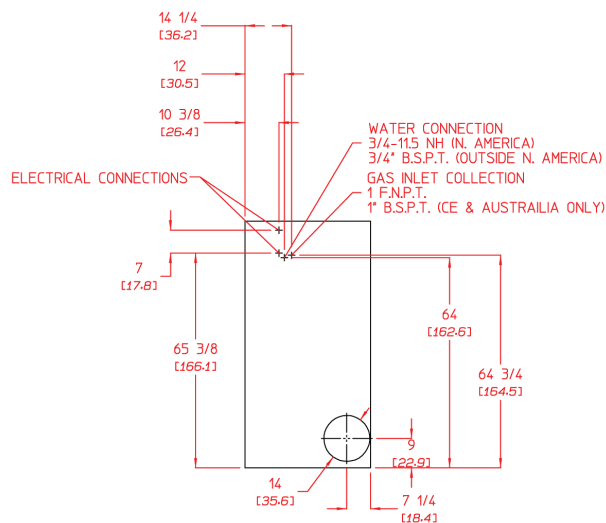
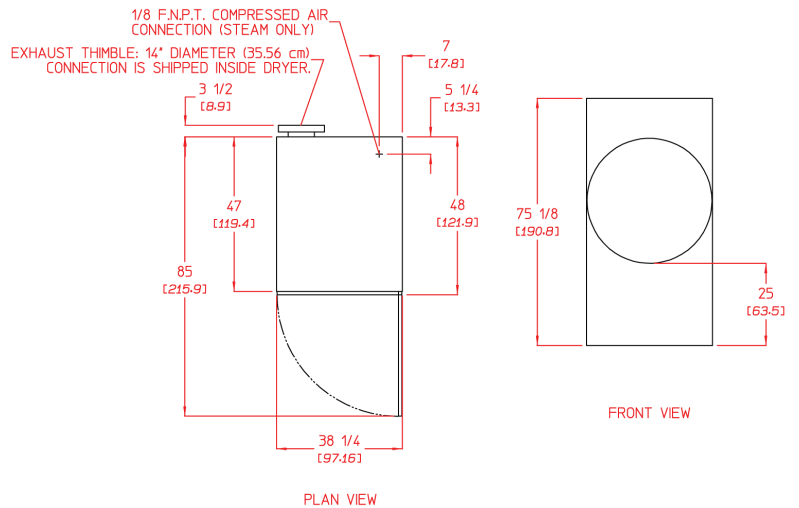
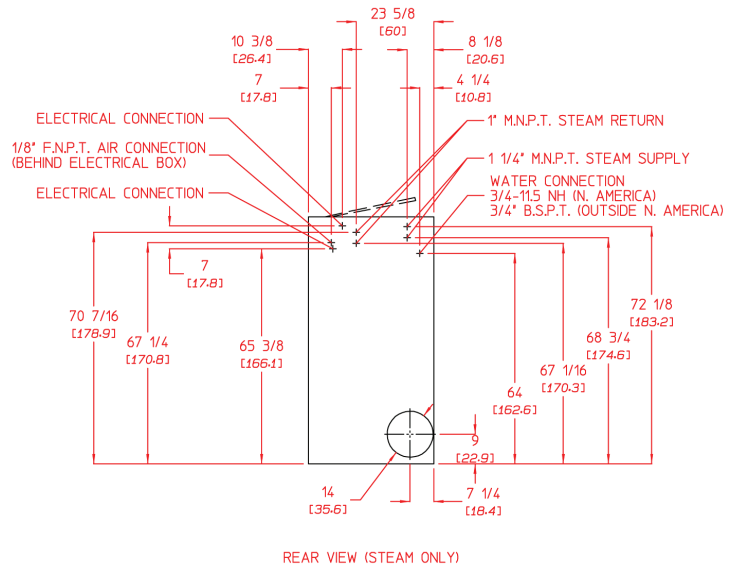
M82

M82 Specifications

Tumbler Capacity (dry weight)	80 lbs. (36.29 kg)	
Tumbler Diameter	37" (94 cm)	
Tumbler Depth	36" (91.5 cm)	
Tumbler Volume	22.4 cu ft (634.29 L)	
Tumbler/Drive Motor	1/2 hp (0.373 kW)	
Blower/Fan Motor	3 hp (2.2 kW)	
Door Opening (Diameter)	31-3/8" (79.7 cm)	
Door Sill Height	25" (63.5 cm)	
F.S.S. Water Connection	North America	3/4" - 11.5 NH
	Outside North America	3/4" B.S.P.T.
Dryers per 20'/40' Container	10 / 20	
Dryers per 48'/53' Truck	24 / 26	
Width	38-1/4" (97.16 cm)	
Depth	48" (121.9 cm)	
Height	75-1/8" (190.8 cm)	
Airflow	gas/electric	60 Hz 1,700 cfm (48.14 cmm) 50 Hz 1,417 cfm 40.12 cmm
Exhaust Connection	14" (35.56 cm)	
GAS MODEL:		
	Approx. Net Wt.	833 lbs (377.8 kg)
	Approx. Ship Wt.	883 lbs (400.5 kg)
	Heat Input	270,000 btu/hr (68,040 kcal/hr)
	Inlet Pipe Connection	1" F.N.P.T.
	Compressed Air Connection	1" B.S.P.T. (CE and Australia Only)
	Compressed Air Volume	0.75 cfh 0.02 cmh
STEAM MODEL:		
	Approx. Net Wt.	928 lbs (420.9 kg)
	Approx. Ship Wt.	978 lbs (443.6 kg)
	Steam Consumption	375 lb/hr (170.5 kg/hr)
	Operating Steam Pressure	125 psi max (8.6 bar)
	Exhaust Connection (Diameter)	14" (35.56 cm)
	Boiler Horsepower (Normal Load)	11.0 Bhp
	Supply Connection	(2)1-1/4" M.N.P.T.
	Return Connection	(2)1" M.N.P.T.
	Compressed Air Connection	1/8" F.N.P.T.
	Compressed Air Volume	0.75 cfh 0.02 cmh

Specifications in parentheses are metric equivalents.

REV 10/31/13



Electrical Service Specifications					
GAS					
SERVICE VOLTAGE	PHASE	WIRE SERVICE	APPROX AMP DRAW		CIRCUIT BREAKER
			60 Hz	50 Hz	
208	3ø	3	14.4	--	20
220	3ø	3	13.9	--	20
240	3ø	3	14.0	--	20
240	3ø	3	--	15.9	20
380	3ø	4*	--	8.4	15
400	3ø	4*	--	8.4	15
416	3ø	4*	--	8.7	15
440	3ø	4*	--	8.6	15
460	3ø	3	7.5	--	15
480	3ø	3	7.5	--	15



Pellerin Milnor Corporation, PO Box 400, Kenner, LA 70063 USA,
Phone 504.712.7656 Toll Free: 800.469.8780 Fax: 504.468.3094

www.milnor.com