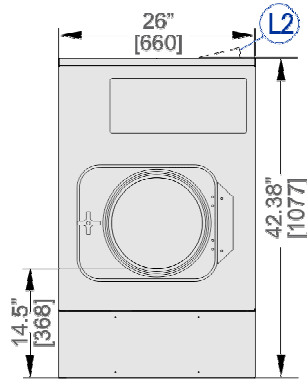


MWR12J5

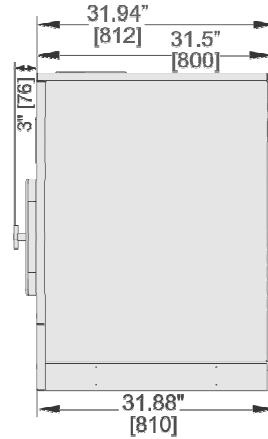
25 LB. (11KG) CAPACITY
RIGID-MOUNT WASHER-EXTRACTOR

SPECIFICATION SHEET

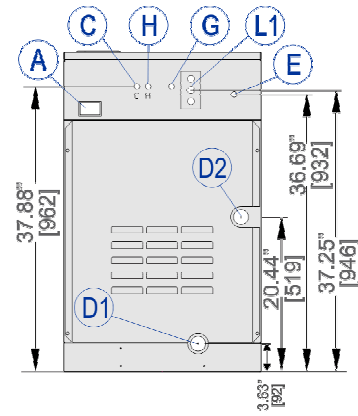
FRONT VIEW



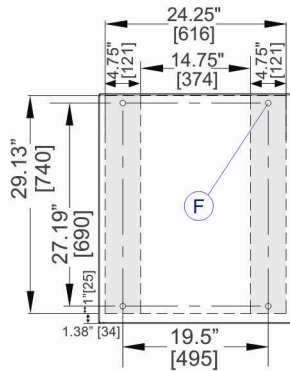
RIGHT SIDE VIEW



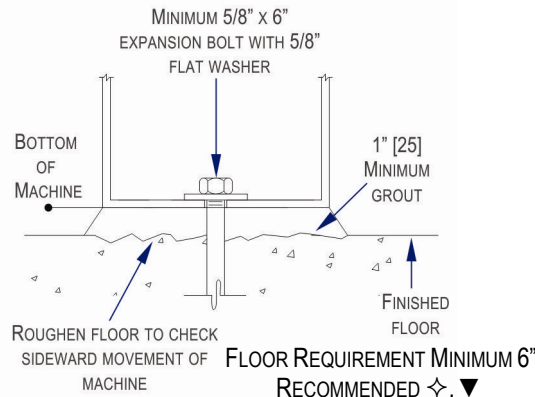
REAR VIEW



FOUNDATION VIEW



ANCHORING DETAIL



LEGEND

| | |
|----|-----------------------------------|
| C | Cold water inlet .75" (19 mm) GHT |
| D1 | Drain to sewer 2" (51 mm) ID hose |
| D2 | Overflow 2" (51 mm) ID hose |
| E | Electrical connection |
| F | Anchor bolt holes .8125" (21 mm) |
| G | Chemical flush .75" (19 mm) GHT |
| H | Hot water inlet .75" (19 mm) GHT |
| L1 | Liquid supply inlets |
| L2 | Soap chute |

MECHANICAL SPECIFICATIONS

| | |
|--|---------------------------------------|
| Capacity – lbs (kg) | 25 (11) |
| Cylinder Diameter x Depth – ins (mm) | 23 x 14 (584 x 356) |
| Cylinder Volume – cu. ft. (L) | 3.37 (95) |
| Door Opening – ins (mm) | 12 (305) |
| Machine Dimensions (W x D x H) – ins (mm) | 26 x 35.94 x 42.38 (660 x 888 x 1077) |
| Shipping Dimensions (W x D x H) – ins (mm) | 28 x 38 x 49 (711 x 965 x 1245) |
| Motor – HP (kW) | 1 (0.746) |
| Wash Speed – RPM | 32 |
| Distribution Speed – RPM | 64 |
| Extraction Speed – RPM | 525 |
| Extraction G-Force | 90 |
| Static Weight – lbs (kg) ◇ | 675 (306) |
| Max. Dynamic Load RMS – lbs (kg) ◇ | 563 (255) |
| Frequency (Hz) | 8.75 |
| Water Pressure (Required) – psi (bar) | 10-75 (.68-5.1) |
| Water Valve CV Rating – gal/min (L/min) | 4.6 (17) |
| Minimum Recommended Distance Between Machines – ins (mm) | 0 (0) |

ELECTRICAL SPECIFICATIONS

| Voltage | Running Amps | Fuse (Amps) | Circuit Breaker (Amps) |
|----------------|--------------|-------------|------------------------|
| 220/3/50 | 3 | FRN6 | 6 |
| 208,240/1-3/60 | 4/3 | FRN6 | 6 |
| 380/3/50-60 | 3 | FRS5 | 5 |
| 415/3/50 | 2.5 | FRS5 | 5 |
| 480/3/60 | 2 | FRS5 | 5 |

See Fuse and Wire Size manual MAEFUSE1BE for safety information.

▼ See dimensional drawing for complete details.

◇ It is the sole responsibility of the owner/user to assure that the floor and/or any other supporting structure exceeds not only all applicable building codes, but also that the floor and/or any other supporting structure for each washer-extractor or group of washer-extractors has sufficient strength and rigidity (i.e., a natural or resonant frequency many times greater than the rotational machine speed with a reasonable factory of safety) to support the weight of all the fully loaded machine(s) including the weight of the water and goods, and including the published 360° rotating sinusoidal RMS forces that are transmitted by the machine(s). Contact the factory for additional machine data for use by a structural engineer.



MWR12J5

25 LB. (11KG) CAPACITY
RIGID-MOUNT WASHER-EXTRACTOR

SPECIFICATION SHEET

Standard Features:

- 6 speeds (2 wash, 1 distribution, 3 extract)
- E-P PLUS® programmable controller
- Back-lit LCD display
- Single-motor inverter drive
- Tall, lifting ribs
- Sealed ball bearings
- High M.A.F. (Mechanical Action Factor)
- Large cylinder perforations
- Fresh-water flushing chemical manifold
- Auto tension V-belt drive
- Six (6) liquid chemical injection ports
- Control reads in English/second language
- 5-year limited warranty on frame, cylinder & shell



Optional Features:

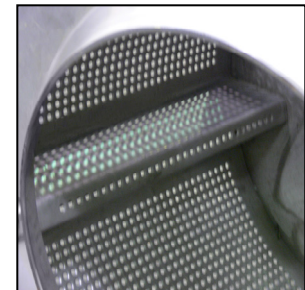
- Lint trap
- Mounting base, 10" or 6"
- Steam or electric heat

Why Purchase Milnor?

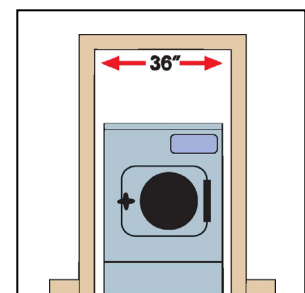
- Larger cylinder volume than most competitive similar sized washer-extractors provides *greater productivity*. More linen washed per day, or fewer hours required to process. **BENEFIT: Saves labor.**
- Greater cylinder perforated-area generates *better wash* quality, *better rinsing* and *better extraction*. **BENEFIT: Better extraction saves dryer fuel.**
- Faster process times reduce fabric wear, promoting *longer linen life!* **BENEFIT: Saves linen replacement costs.**
- Tall perforated ribs provide excellent lift and high drop. **BENEFIT: Greater mechanical action (M.A.F.) leads to better wash quality.**
- 90-G high extract provides excellent moisture removal. Lower extract speeds are available for uniforms, delicate textiles and blended fabrics. **BENEFIT: Better extraction saves dryer fuel.**
- E-P Plus Controller with back-lit LCD display allows operator to choose formulas from real words, not codes. Standard controller features English/Spanish (other languages optional). Controller also provides diagnostic and error messages. Shortens training time of new employees. **BENEFIT: Fewer operator errors.**
- Superior product support through local, highly-skilled dealers. **BENEFIT: Faster repairs mean less downtime.**



Safe chemical injection



Superior cylinder design



Solid industrial frame

Contact Milnor for your local, authorized dealer:

Pellerin Milnor Corporation
P.O. Box 400 • Kenner, LA 70063
t: 504-467-9591 • f: 504-468-3094

