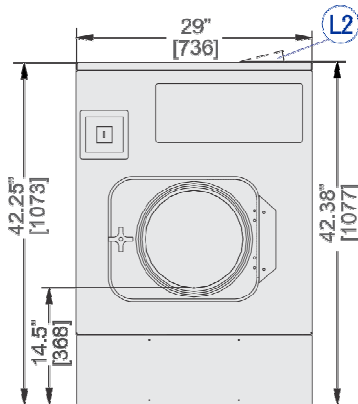


# MWR16J5

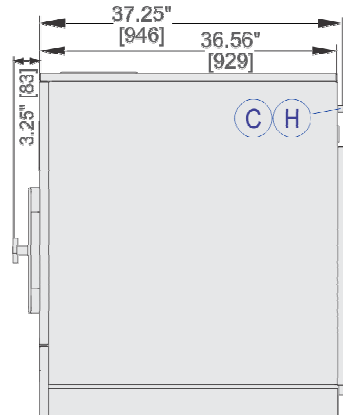
35 LB. (16KG) CAPACITY  
RIGID-MOUNT WASHER-EXTRACTOR

## SPECIFICATION SHEET

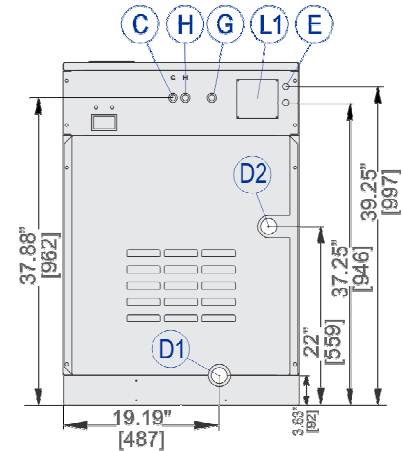
FRONT VIEW



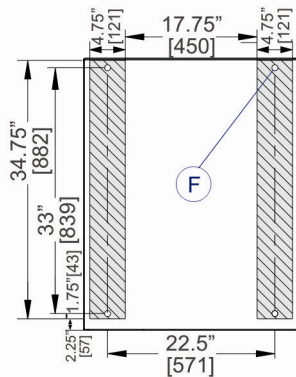
RIGHT SIDE VIEW



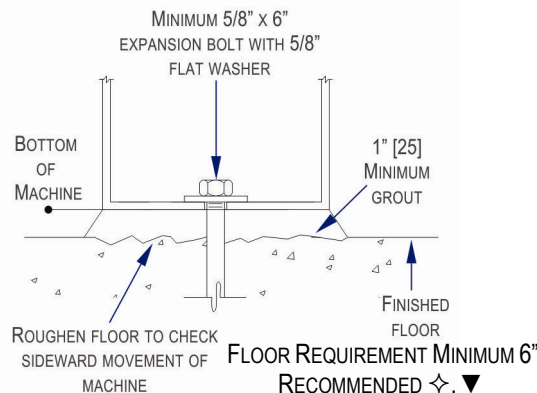
REAR VIEW



FOUNDATION VIEW



ANCHORING DETAIL



LEGEND

C	Cold water inlet, .75" (19 mm) GHT
D1	Drain 2" (51 mm) ID hose connection
D2	Overflow, 2" (51 mm) ID hose
E	Electrical connection
F	Anchor bolt holes .8125" (21 mm)
G	Chemical flush, .75" (19 mm) GHT connection
H	Hot water inlet, .75" (19 mm) GHT
L1	Liquid supply inlets
L2	Soap chute

### MECHANICAL SPECIFICATIONS

Capacity – lbs (kg)	35 (16)
Cylinder Diameter x Depth – ins (mm)	23 x 18 (584 x 457)
Cylinder Volume – cu. ft. (L)	4.3 (121)
Door Opening – ins (mm)	12 (305)
Machine Dimensions (W x D x H) – ins (mm)	29 x 40.5 x 42.38 (737x1029x1077)
Shipping Dimensions (W x D x H) – ins (mm)	31 x 44 x 49 (787x1118x1245)
Motor – HP (kW)	1.5
Wash Speed – RPM	32
Distribution Speed – RPM	64
Extraction Speed – RPM	495
Extraction G-Force	80
Static Weight – lbs (kg) ◇	631 (286)
Max. Dynamic Load RMS – lbs (kg) ◇	788 (357)
Frequency (Hz)	8.75
Water Pressure <i>(Required)</i> – psi (bar)	10-71 (.68-5.1)
Water Valve CV Rating – gal/min (L/min)	4.6 (17)
Minimum Recommended Distance Between Machines – ins (mm)	0 (0)

### ELECTRICAL SPECIFICATIONS

Voltage	Running Amps	Fuse (Amps)	Circuit Breaker (Amps)
220/3/50	5	FRN10	10
208,240/1-3/60	6/5	FRN10	10
380/3/50-60	4	FRS8	8
415/3/50	3	FRS6	6
480/3/60	2.5	FRS6	6

See Fuse and Wire Size manual MAEFUSE1BE for safety information.

▼ See dimensional drawing for complete details.

◇ It is the sole responsibility of the owner/user to assure that the floor and/or any other supporting structure exceeds not only all applicable building codes, but also that the floor and/or any other supporting structure for each washer-extractor or group of washer-extractors has sufficient strength and rigidity (i.e., a natural or resonant frequency many times greater than the rotational machine speed with a reasonable factory of safety) to support the weight of all the fully loaded machine(s) including the weight of the water and goods, and including the published 360° rotating sinusoidal RMS forces that are transmitted by the machine(s). Contact the factory for additional machine data for use by a structural engineer.



# MWR16J5

35 LB. (16KG) CAPACITY  
RIGID-MOUNT WASHER-EXTRACTOR

## SPECIFICATION SHEET

### Standard Features:

- 6 speeds (2 wash, 1 distribution, 3 extract)
- E-P PLUS® programmable controller
- Back-lit LCD display
- Single-motor inverter drive
- Tall, lifting ribs
- Sealed ball bearings
- High M.A.F. (Mechanical Action Factor)
- Large cylinder perforations
- Fresh-water flushing chemical manifold
- Auto tension V-belt drive
- Six (6) liquid chemical injection ports
- Control reads in English/second language
- 5-year limited warranty on frame, cylinder & shell



### Optional Features:

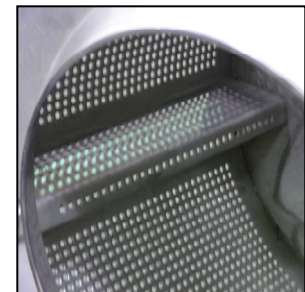
- Lint trap
- Mounting base, 10" or 6"
- Steam or electric heat

### Why Purchase Milnor?

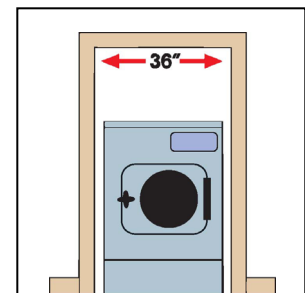
- Greater cylinder perforated-area generates *better wash* quality, *better rinsing* and *better extraction*. **BENEFIT: Better extraction saves dryer fuel.**
- Faster process times reduce fabric wear, promoting *longer linen life!* **BENEFIT: Saves linen replacement costs.**
- Tall perforated ribs provide excellent lift and high drop. **BENEFIT: Greater mechanical action (M.A.F.) leads to better wash quality.**
- 80-G high extract provides excellent moisture removal. Lower extract speeds are available for uniforms, delicate textiles and blended fabrics. **BENEFIT: Better extraction saves dryer fuel.**
- E-P Plus Controller with back-lit LCD display allows operator to choose formulas from real words, not codes. Standard controller features English/Spanish (other languages optional). Controller also provides diagnostic and error messages. Shortens training time of new employees. **BENEFIT: Fewer operator errors.**
- Superior product support through local, highly-skilled dealers. **BENEFIT: Faster repairs mean less downtime.**



Safe chemical injection



Superior cylinder design



Solid industrial frame

Contact Milnor for your local, authorized dealer:

Pellerin Milnor Corporation  
P.O. Box 400 • Kenner, LA 70063  
t: 504-467-9591 • f: 504-468-3094

