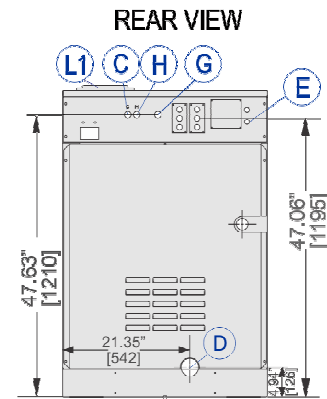
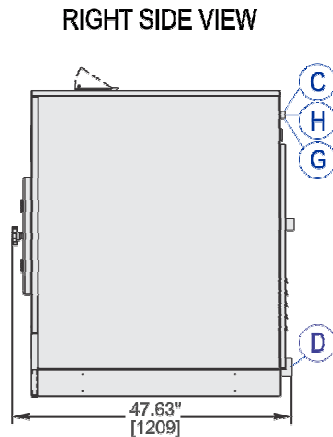
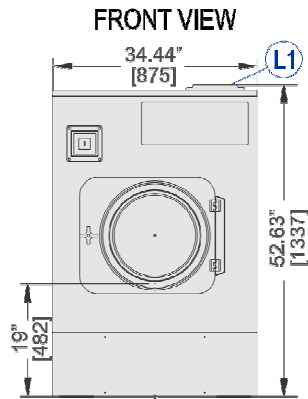


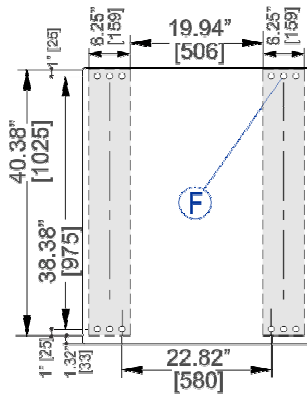
MWR18J6

45 LB. (20KG) CAPACITY
RIGID-MOUNT WASHER-EXTRACTOR

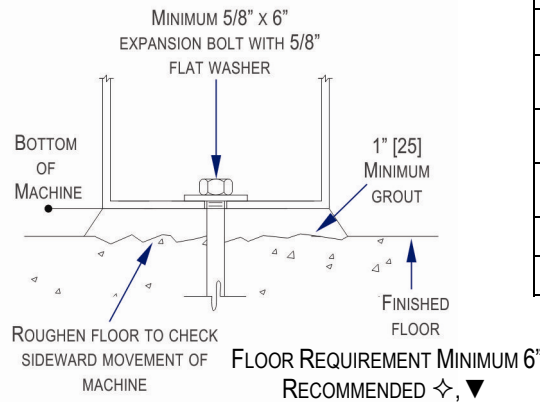
SPECIFICATION SHEET



FOUNDATION VIEW



ANCHORING DETAIL



LEGEND

C	Cold water inlet, .75" (19 mm) GHT
D	Drain 3" (76 mm) ID hose connection
E	Main electrical connection
F	Anchor bolt holes, .8125" (21 mm) diameter
G	Chemical flush, .75" (19 mm) GH connection
H	Hot water inlet, .75" (19 mm) GHT
L1	Standard soap chute

MECHANICAL SPECIFICATIONS

Capacity – lbs (kg)	45 (20)
Cylinder Diameter x Depth – ins (mm)	28 x 18 (711 x 457)
Cylinder Volume – cu. ft. (L)	6.4 (80)
Door Opening – ins (mm)	16 (406)
Machine Dimensions (W x D x H) – ins (mm)	34.44x47.63x52.63 (875x1209x1337)
Shipping Dimensions (W x D x H) – ins (mm)	38 x 50 x 60 (965x1270x1524)
Motor – HP (kW)	3
Wash Speed – RPM	32
Distribution Speed – RPM	64
Extraction Speed – RPM	615
Extraction G-Force	150
Static Weight – lbs (kg) ◇	943 (428)
Max. Dynamic Load RMS – lbs (kg) ◇	1500 (680)
Frequency (Hz)	10.25
Water Pressure <i>(Required)</i> – psi (bar)	10-75 (.68-5.1)
Water Valve CV Rating – gal/min (L/min)	4.6 (17)
Minimum Recommended Distance Between Machines – ins (mm)	0 (0)

ELECTRICAL SPECIFICATIONS

Voltage	Running Amps	Fuse (Amps)	Circuit Breaker (Amps)
220/3/50	7	FRN15	15
208,240/1/60	9,8	FRN20	20
208,240/3/60	8,7	FRN15	15
380/3/50-60	4.5	FRS15	15
480/3/60	3.5	FRS15	15

See Fuse and Wire Size manual MAEFUSE1BE for safety information.

▼ See dimensional drawing for complete details.

◇ It is the sole responsibility of the owner/user to assure that the floor and/or any other supporting structure exceeds not only all applicable building codes, but also that the floor and/or any other supporting structure for each washer-extractor or group of washer-extractors has sufficient strength and rigidity (i.e., a natural or resonant frequency many times greater than the rotational machine speed with a reasonable factory of safety) to support the weight of all the fully loaded machine(s) including the weight of the water and goods, and including the published 360° rotating sinusoidal RMS forces that are transmitted by the machine(s). Contact the factory for additional machine data for use by a structural engineer.



MWR18J6

45 LB. (20KG) CAPACITY
RIGID-MOUNT WASHER-EXTRACTOR

SPECIFICATION SHEET

Standard Features:

- 6 speeds (2 wash, 1 distribution, 3 extract)
- E-P PLUS® programmable controller
- Back-lit LCD display
- Single-motor inverter drive
- Tall, lifting ribs
- Sealed ball bearings
- High M.A.F. (Mechanical Action Factor)
- Large cylinder perforations
- Fresh-water flushing chemical manifold
- Auto tension V-belt drive
- Six (6) liquid chemical injection ports
- Control reads in English/second language
- 5-year limited warranty on frame, cylinder & shell



Optional Features:

- Lint trap
- Mounting base, 10" or 6"
- Steam or electric heat

Why Purchase Milnor?

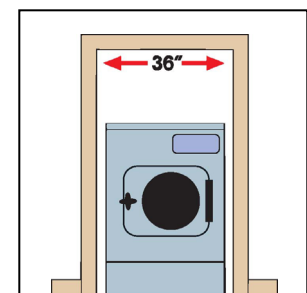
- Larger cylinder volume than most competitive similar sized washer-extractors provides *greater productivity*. More linen washed per day, or fewer hours required to process. **BENEFIT: Saves labor.**
- Greater cylinder perforated-area generates *better wash* quality, *better rinsing* and *better extraction*. **BENEFIT: Better extraction saves dryer fuel.**
- Faster process times reduce fabric wear, promoting *longer linen life!* **BENEFIT: Saves linen replacement costs.**
- Tall perforated ribs provide excellent lift and high drop. **BENEFIT: Greater mechanical action (M.A.F.) leads to better wash quality.**
- 150-G high extract provides excellent moisture removal. Lower extract speeds are available for uniforms, delicate textiles and blended fabrics. **BENEFIT: Better extraction saves dryer fuel.**
- E-P Plus Controller with back-lit LCD display allows operator to choose formulas from real words, not codes. Standard controller features English/Spanish (other languages optional). Controller also provides diagnostic and error messages. Shortens training time of new employees. **BENEFIT: Fewer operator errors.**
- Superior product support through local, highly-skilled dealers. **BENEFIT: Faster repairs mean less downtime.**



Safe chemical injection



Superior cylinder design



Solid industrial frame

Contact Milnor for your local, authorized dealer::

Pellerin Milnor Corporation
P.O. Box 400 • Kenner, LA 70063
t: 504-467-9591 • f: 504-468-3094

